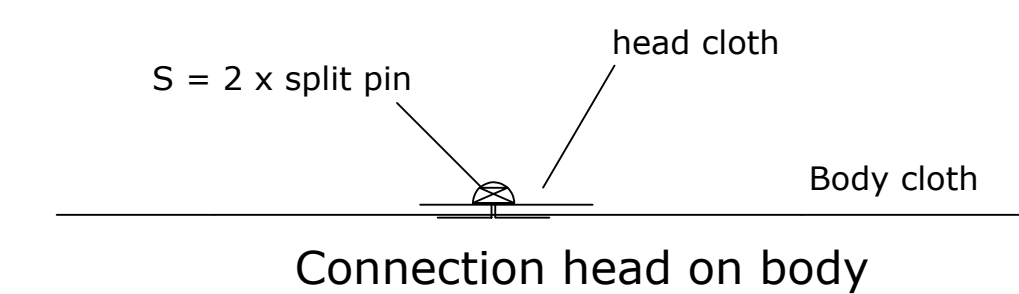
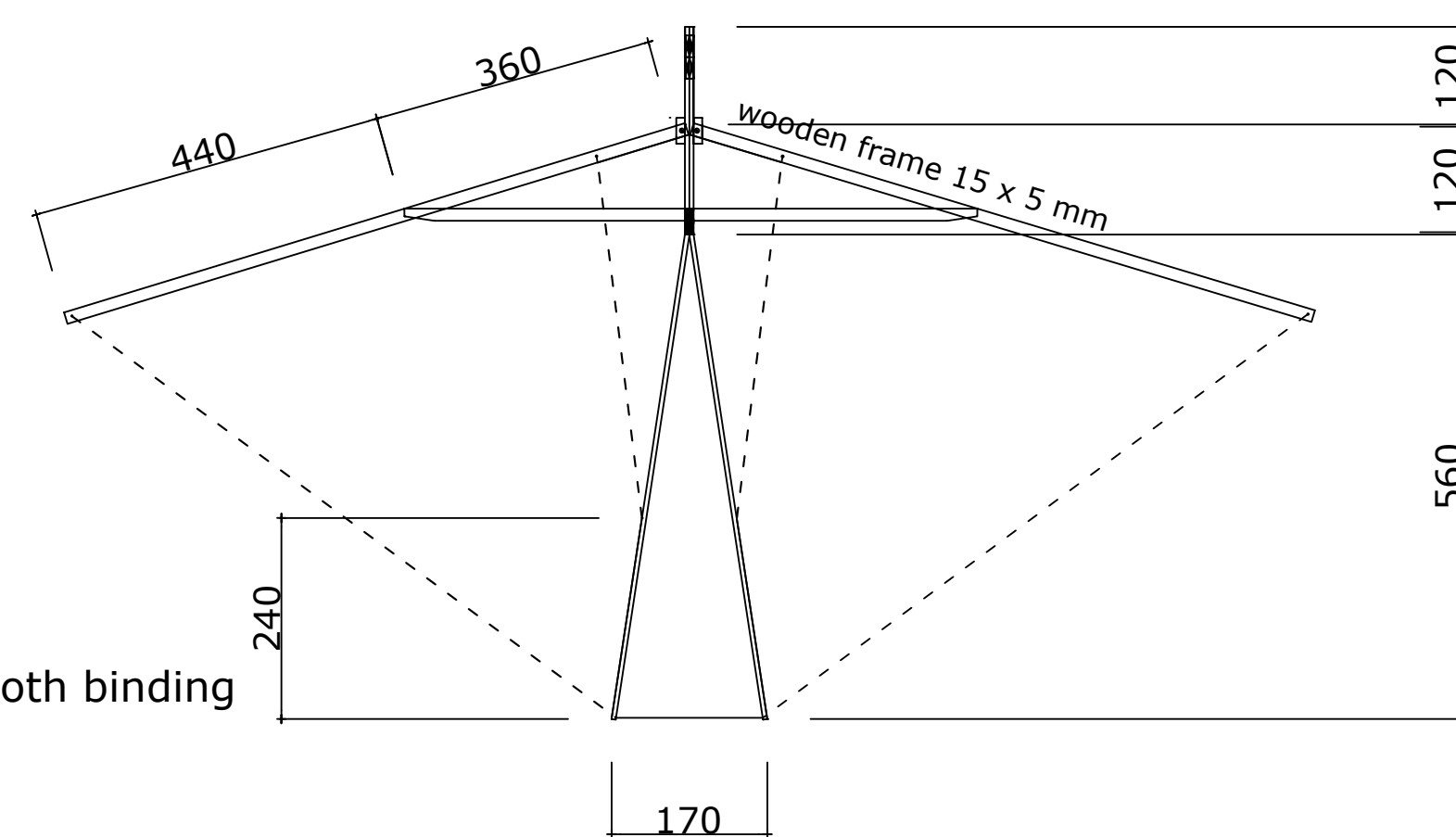
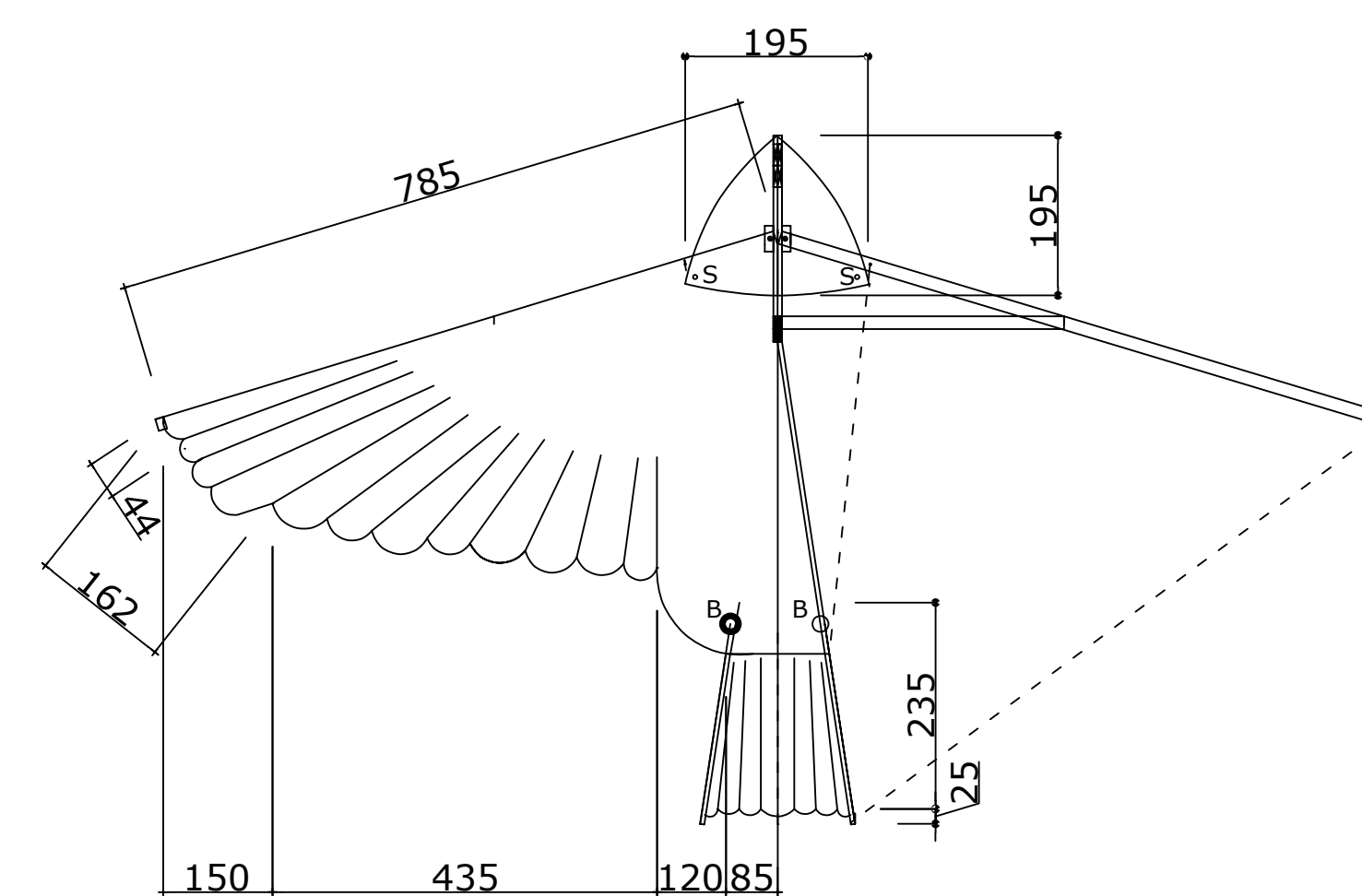


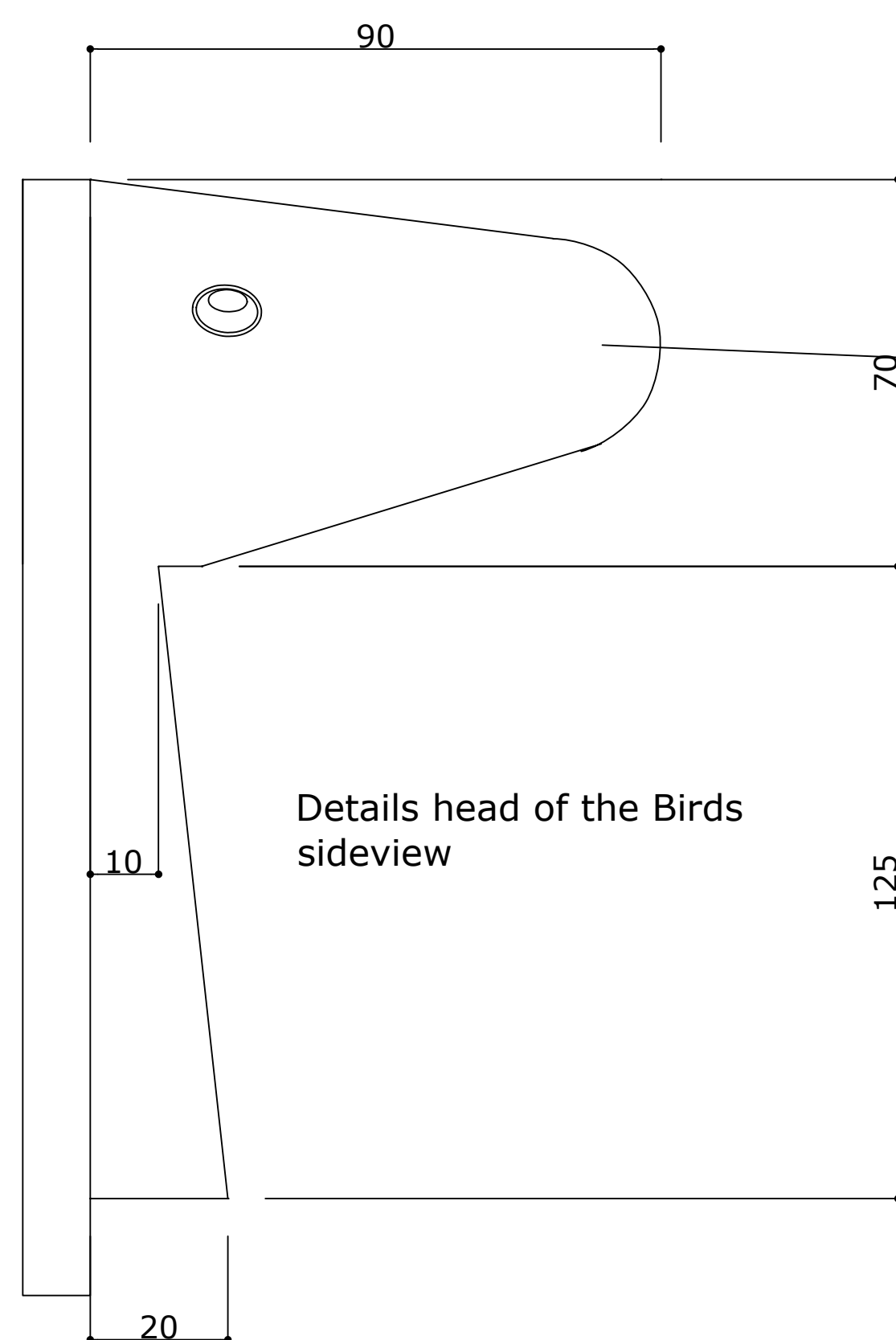
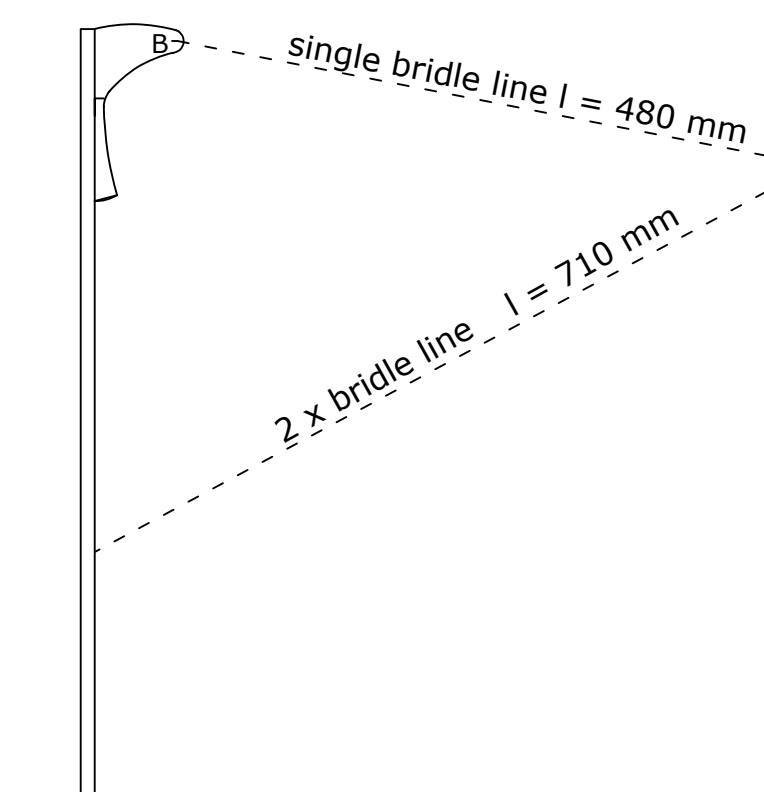
Wooden Frame
Self adhesive cloth binding
Tension lines



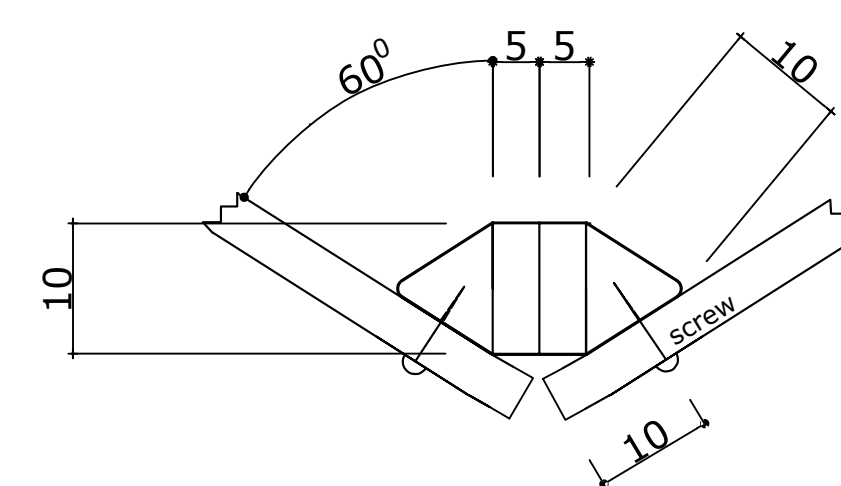
Connection head on body



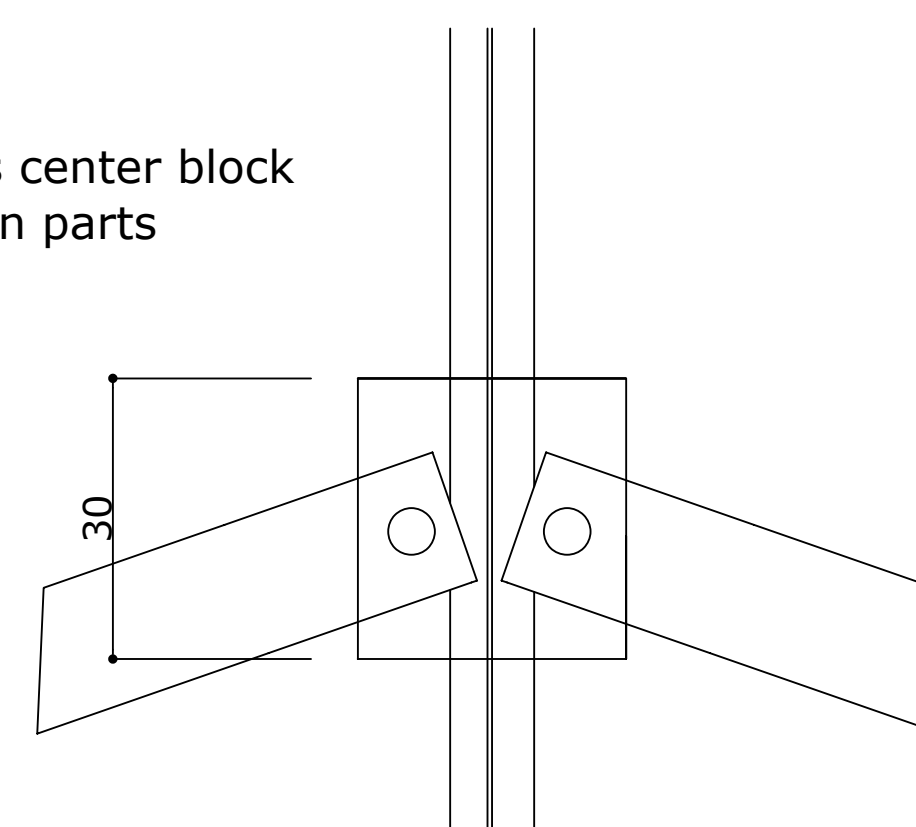
Dimensions Cloth



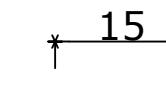
Details head of the Birds
sideview



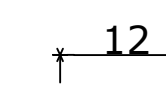
Details center block
wooden parts



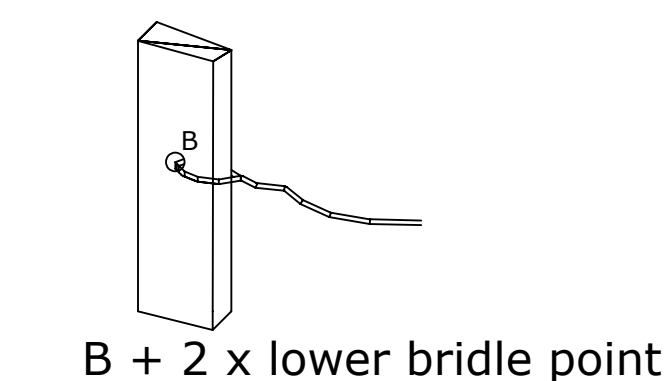
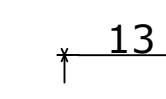
Cross section frame parts
- kite number 1



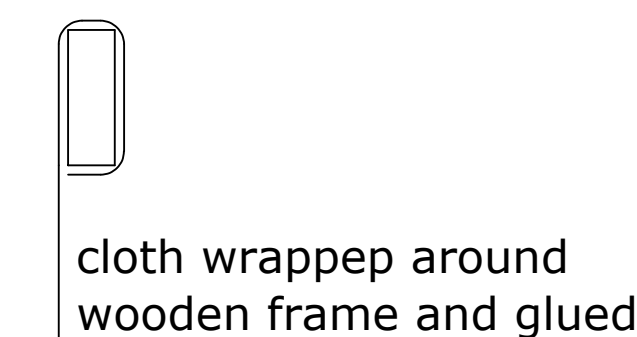
Cross section frame parts
- kite number 2, 3 and 4



Cross section vertical spreader -
kite number 2, 3 and 4



B + 2 x lower bridle point



cloth wrapped around
wooden frame and glued

SUBJECT:
L'Aigle Dragon
Cerf-Volant Planeur
High Flying Eagle
Soaring Kite

Dimensions in mm; dimensional sketch shows different scales

Drawn by: Frits Sauvé - October 2006

Modified by: Frits Sauvé - June 2010