

# INDEX TO VOLUME 1, PMAF DATA-LETTER

N = Issue Number    P = Page Number

Subject	N	P	Subject	N	P	Subject	N	P
Aerodynamics			British Merchant			Grimm, Bill	8	1
Magnus Effect	9	3	Marine	12	1	Hammond, Pat	5	1
Aerovane	1	2	Brown, Bevan	9	1		12	4
Air Force (see Piney Mt.)			Brown, Roy	13	1	Harrison, Hugh	13	1
Aircraft			Brugh, Kenneth	13	1	Hinze, Gary J.	7	1
Bird, Kinner	11	1	Bullroarer Effect	13	6		13	1
Fleet, Consolidated	13	1	Bushell, Helen	13	5	Hornbeam	8	1
Sopwith Hornbum	11	1		13	6	Letter from	3	1
Spitfire	13	2	Charlottesville			Inchcliffe Castle	12	1
Super-light	1	2	Monticello	1	2	Indoor world records	12	3
Tripe-plane	11	1	U.S. Route 29	1	2	Ingraham, Robert	2	1
Ultra-light, powered	5	1	Canard Glider	12	3	Jefferson, Thomas	1	2
Waco F5	11	1	Cathouse	12	3	Kite		
Albertson, Stanley E.	10	3	Corrigan, Douglas	13	1	Alliflex	12	4
Alliflex	12	4	Couden, Elliot N.	13	1		13	5
	13	5	Domain, Public	1	2		13	6
	13	6	Donaldson, Jesse C.	7	1	Allison-Nelson	10	1
Allison, Wm. M.	2	1	Doolittle, Jimmy	13	1	Asymmetrical	4	1
Antiques Contest	11	1	Dunton, Alex	4	1	Bird	5	3
	13	1		7	1		5	4
Aspect Ratio	5	2	Ellipse			Challenge, friendly	2	2
Sotich letter	8	1	Layout	13	2	Flute 153	13	5
Of planforms	5	3	Kite	13	5	Hornbeam Mark I	1	2
Planforms; R = 6	5	4	Errata				2	1
Associations & Clubs			Lift Coefficient	6	3	Parafoil	9	1
American Kitefliers			Spelling	9	3	Patents, Rotor	4	1
Association	9	1	Eskridge, Robert T.	7	1	Pinky's Floater	7	1
Essex Kite Group	7	1		8	2		12	2
Greater Delaware				12	1	Plans		
Valley Kite Society	5	1	Equation, Wind			Happy Face	3	4
Northern Kite			Velocity	11	4	Hornbeam Rotor	9	2
Group	13	5	Fitzhugh, Perry	7	1	Part I	9	3
Washington Kitefliers			Flettner, Anton	9	4	Part II	10	3
Association	12	3	Forbes, John Douglas	6	1	Part III	11	3
Autorotation	13	6	Foshag, William F.	7	1	Hornbeam Sled=		
Aydlett, Donald E.	7	1	Galty, Teddy U.	13	1	Kite, Mark I	2	1
Aydlett, Guy D.	9	3	Garber, Paul	13	1	Horned Allison	13	5
	11	2	Gatty, Dudley	13	1	John Spendlove's		
Bailey, Oscar	4	1	Geometry	6	2	Ellipse	13	5
	7	1		6	3	Margaret Greger's		
Baldwin, Wayne J.	6	1		13	2	Flexible	13	5
	7	1	Govig, Valerie	4	1	Nelson-Allison		
Battelle, Wayne	7	1		5	1	Super Sled	6	4
	13	6		7	1	Sanjo Rokkaku	4	4
Birdleough, John C.	6	1	Green, Thomas D.	7	1	Star Victory <sup>T.M.</sup>	7	3
Blodgett, Stephen B.	7	1	Greeno, Jim	12	3	Thai Cobra	11	2
	8	2	Greger, Margaret	7	1	Walter Leuzinger's		
Boehler, Gabriel D.	7	1		12	4	Sun Bird	8	3
Brewer, Carl	12	2		13	5	Rotaplanes	7	1
	12	3	Grim, Tyrus O.	12	1	Rotary Winged	10	3

*(continued on page 3)*

INDEX TO VOLUME 1, PMAF DATA-LETTER

(continued from page 3)

Rotor	2 1	AKA News	11 1	Seattle Kingdome	12 3
Patents: where				Shaner, Tom	9 1
to find	2 1		13 1	Sisson, Tom	12 3
Sled	1 2	<i>Birds of Prey</i>		Spencer, Mary R.	6 1
Circular	13 6	<i>of the World</i>	5 4	Spencer, Scott	8 4
Vents	3 1	<i>European Kiteflyer</i>	13 6	Spendlove, John	13 5
Three Mile Island	4 1	<i>5/20 Kite Group</i>		Sotich, Charles A.	7 1
Kite Festival		<i>News</i>	7 1		8 1
Science Museum of			11 1	Sowers, Minnie	7 1
Virginia	6 1	<i>Horizontal -Axis</i>		Stringfellow, Beau	3 1
Virginia's Ash Lawn	4 4	<i>Rotating Wing</i>			12 1
<i>Kite Flyer</i>	5 1; 7 1	<i>Aeronautical Systems</i>		Szerlag, Hank	7 1
	11 1; 13 1	<i>(HARWAS)</i>	7 1	Talfa, Gama del	7 4
Kite Hall of Fame	12 1	<i>Kite Flyer</i>	5 1; 7 1	Tallman, Frank	13 1
<i>Kite Lines</i>	4 1; 5 1		11 1; 13 1	Tables	
	7 1; 13 6	<i>Kite Lines</i>	4 1; 5 1	Blodgett's (Materials)	8 2
Knots	4 2		7 1; 13 6	Weight/Area vs	
	4 3	<i>Kite Tales</i>	2 1; 12 1	Wind Velocity	4 3
	11 2	<i>Kite Wings</i>	7 1		11 4
	11 3	<i>Life</i>	9 3	<i>Tight Lines</i>	5 1; 9 1
Leffler, Brooks G.	9 1	<i>Mech. Vibrations</i>	13 6		11 1; 13 1
Leonardo, Vermon C.	13 1	<i>Scientific American</i>	13 2	Toy, Leland	5 1
Letters-Patent	1 2	<i>2nd Generation</i>			7 1
Leuzinger, Walter M.	7 1	<i>Ultralight Sailplanes</i>	8 2	Udet, Adlyyyg T.	13 1
	8 3	<i>Tako-Japanese</i>		UFO	10 1
	12 1	<i>Kite Book</i>	6 1		10 2
Liese, Frank L.	13 1	<i>Tips on Buying and</i>			12 4
Lindbergh, Charles	11 1	<i>Flying Kites</i>	12 1	Van Gilder, John F.	7 1
	13 1	<i>Tight Lines</i>	5 1; 9 1		11 2
Markham, O. S.	13 1		11 1; 13 1		12 3
Marshall, Gray	9 1	<i>WKA Newsletter</i>	7 1	Vultures	1 2
McCort, Bob	12 3		11 1; 12 3	Waco F5	11 1
Metrication	12 4		13 1	Walker, Paul	5 1
	13 5	Rickenbacker, Eddie	11 1	Weathers, Warren O.	
Modjeski, P. J.	12 4		13 1	("Stormy")	4 1
Moeller, Larry	13 1	Richthofen, Manfred			7 1
Monroe, James	4 4	von; "Red Baron"	13 1		7 2
Moon	10 1	Rigging			12 4
	10 2	Hornbeam Rotor			13 5
Morrison, P <sup>2</sup>	12 1	661 Kite	11 3	West, Toby	13 1
Nelson, Robert H.	7 1	Kiteline-to-Bridle		Wenberg, Carlos	12 1
Nickerson, Archer M.	5 1	Junctions	12 2	Wheeler, C. Hadley	7 1
	7 1	Rotor	9 3		8 4
Patents		Horizontal Axis		Wilville and Orbur	11 1
Foreign	1 1	Auto-Rotators	10 3	Winder, Line	13 6
Rotor	1 1	Kite Patents	1 1	Wohlert, Richard W.	13 1
Where to find	2 1		4 1		13 6
United States	4 1	Ships	1 1	Wright Brothers	12 3
Piney Mountain Air			9 4	Yeates, Morgan Gates	7 1
Force: History, etc.	1 2	Savonius, Sigurd	10 3	Yeoman, Henry A.J.	8 4
Public Domain	1 2		10 3		12 1
Publications				Zaic, Frank	7 1
AKA News	9 1				

# THREE ALLIFLEX KITES FROM THREE FAMOUS KITEFLIERS

Spendlove, Greger, and Weathers

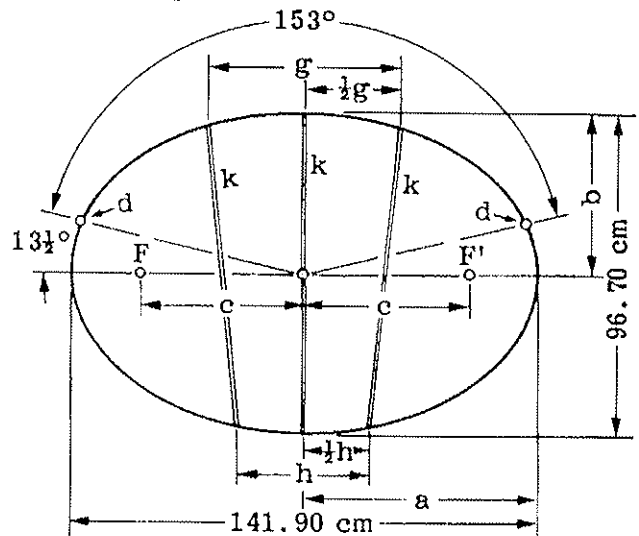
JOHN SPENDLOVE, International Secretary for England's Northern Kite Group, derived his elliptical flyer from "FLUTE 153," a flexible kite designed by HELEN BUSHELL, of Australia (see "Bushell," page 6). John used straws—long soda straws?—and tissue paper to create a 64-gramme kite (including bridle and swivel) with an area of 1.078 m<sup>2</sup>.

John's kite will give you a chance to exercise the ellipse layout techniques sketched on page 2, and a good chance to run off some practical metrication. Just buy a metre rule and have at it. Decimal measurements are easy to use; pleasant to use in calculations.

## JOHN SPENDLOVE'S ELLIPSE

Dimensions are in centimetres  
(1" = 2.54 cm)

- a = 70.95 cm
- b = 48.35 cm
- c = Focus Location = 51.92 cm
- 2(a + c) = L = 245.75 cm
- d = Bridle Branch "Hold Point"
- Bridle Branch Length = 130.00 cm
- g = 56.00 cm
- $\frac{1}{2}g$  = 28.00 cm
- h = 37.50 cm
- $\frac{1}{2}h$  = 18.75 cm
- k = Longeron



MARGARET GREGER'S and WARREN O. "STORMY" WEATHERS' flexible kites, dimensioned below, are self-kites—essentially stickless. Stapled or taped pleats provide the functions of longerons. Margaret sent her sample from Richland, Washington; Stormy's came from Milwaukie, Oregon. Both kites fly well in gentle to moderate winds; both are easy to make:

### MARGARET GREGER'S KITE

(Version of PMAF's "HORNBEAM MARK I")

Covering: 3-mil brown shopping bag paper

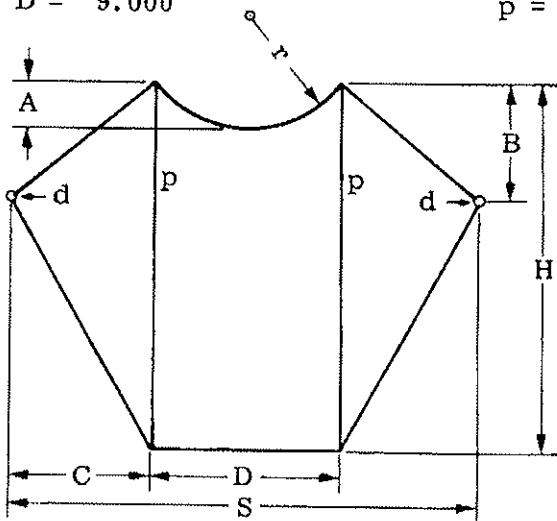
d = Attachment Point for 45" Bridle Branch

A = 2.250"                      H = 18.000

B = 5.625                      Weight:                      S = 22.500

C = 6.750                      r = 5.625

D = 9.000                      p = Pleat



### STORMY WEATHERS' "HORNED ALLISON"

Covering: 4-mil newsprint (color cartoons)

d = Attachment Point for 48" Bridle Branch

p = Pleat                      D = 2.375                      H = 20.000

A = 6.375"                      E = 1.750                      J = 6.000

B = 14.250                      F = 6.875                      K = 7.500

C = 4.750                      G = 16.500                      S = 27.000

